

**KEY FEATURES**

295W RGBWLC (Red, Green, Blue, White, Lime, Cyan) LED Array

CRI 95, CCT Adjustment from 2000 to 10000K

24,000 Total Lumen Fixture Output

Internal Power Supply with Power Pass-Through

24-36 VDC Battery Operation (battery not included)

DMX/RDM, Art-Net and sACN Protocol Support

E-FLY™ Internal Extended Range Wireless DMX Transceiver

Stand-Alone Control with 3 Encoders and OLED Display

Barn Doors, Diffuser, and Junior Pin (1 1/8" - 28mm) included

The **KL PANEL™** is a full-color-spectrum LED soft light that provides high output, precise color temperature control, full-spectrum color rendering, and even wash coverage. Optimized for the tunable white light requirements of Film and Television, it is an ideal key and fill light source for many situations requiring outstanding performance and color quality.

The **KL PANEL** incorporates a highly efficient 6-in-1 LED package that produces up to 24,000 field lumens at a 100° half-peak angle. Compact and portable, the fixture can be mounted on a stand or suspended using any standard clamp or the included Junior pin adapter. Rugged housing with impact-resistant surrounds and base plate ensures the **KL Panel** can handle the rough handling on today's fast-paced sets.

It is fully self-contained without the need for an external power supply. It can also be remotely powered thru its integrated 4-pin XLR 24-36 VDC battery input. The **KL Panel** can be operated through industry-standard DMX, Art-NET, or sACN protocols. In addition, it can also be adjusted manually using the included encoders and OLED display, providing instant control of Intensity, Color temperature, Green shift, and other important settings. The display and encoders are conveniently positioned on the bottom of the fixture to ensure easy access while the **KL Panel** is mounted on a stand. The integration of Elation's E-FLY™ wireless system allows for even more flexibility of use.



295W Full Spectrum RGBWLC LED Soft Light

SPECIFICATIONS

SOURCE

6-in-1 (Red, Green, Blue, White, Lime, Cyan) Full Spectrum LED Array

50,000 Hour Average LED Life*

*Test lab conditions. May vary depending on several factors including but not limited to: Environmental Conditions, Power/Voltage, Usage Patterns (On-Off Cycling), Control, and Dimming.

PHOTOMETRIC DATA

Up to 24,000 Total Lumen Output
Diffuser

Beam Angle 101°

Field Angle 159.4°

Without Diffuser

Beam Angle 111°

Field Angle 155.4°

EFFECTS

Variable CCT 2000K - 10000K

Green-Shift Adjustment

Virtual Gel Library

Variable 16-bit Dimming Curve Modes

High Speed Electronic Shutter and Strobe

Remote Adjustable LED Refresh Rate Frequency (900-25kHz)

CONTROL / CONNECTIONS

9 DMX Channel Modes

3 Manual Adjustment Encoders

4 Button Control Panel and OLED Menu Display
DMX, RDM, Art-NET, sACN Protocol Support

E-FLY™ Internal Extended Range Wireless DMX Transceiver

Locking 5pin XLR Connector In/Out

Locking IP65 Power Connector In/Out

USB Connection (Firmware Updates, External 5V power for accessories)

4pin XLR External Battery Connection (battery not included)

With Wired Digital Communication Network

Junior Pin Adaptor #7050001062

SIZE / WEIGHT

Length: 20.8" (528mm)

Width: 5.5" (140mm)

Height: 12.2" (310mm)

Height (with yoke): 16.3" (415.2mm)

Weight: 28.6 lbs. (13 kg)

Weight: (without barn door) 23.2 lbs. (10.52 kg)

Weight: (Junior Pin) 1.02 lbs. (0.46 kg)

ELECTRICAL / THERMAL

AC 100-240V - 50/60Hz

24-36 VDC (battery operation - battery not included)

Max Power Consumption 295W

14°F to 113°F (-10°C to 45°C)

BTU/hr (+/- 10%) 1005.95

APPROVALS / RATINGS

CE | cETLus | IP20



Specifications are subject to change without notice ©Elation Professional 10/30/2023

Elation Professional USA | 6122 S. Eastern Ave. | Los Angeles, CA. 90040
323-582-3322 | 323-832-9142 fax | www.elationlighting.com | info@elationlighting.com

Elation Professional B.V. | Junostraat 2 | 6468 EW Kerkrade, The Netherlands
+31 45 546 85 66 | +31 45 546 85 96 fax | www.elationlighting.eu | info@elationlighting.eu



295W Full Spectrum RGBWLC LED Soft Light



ORDERING INFORMATION

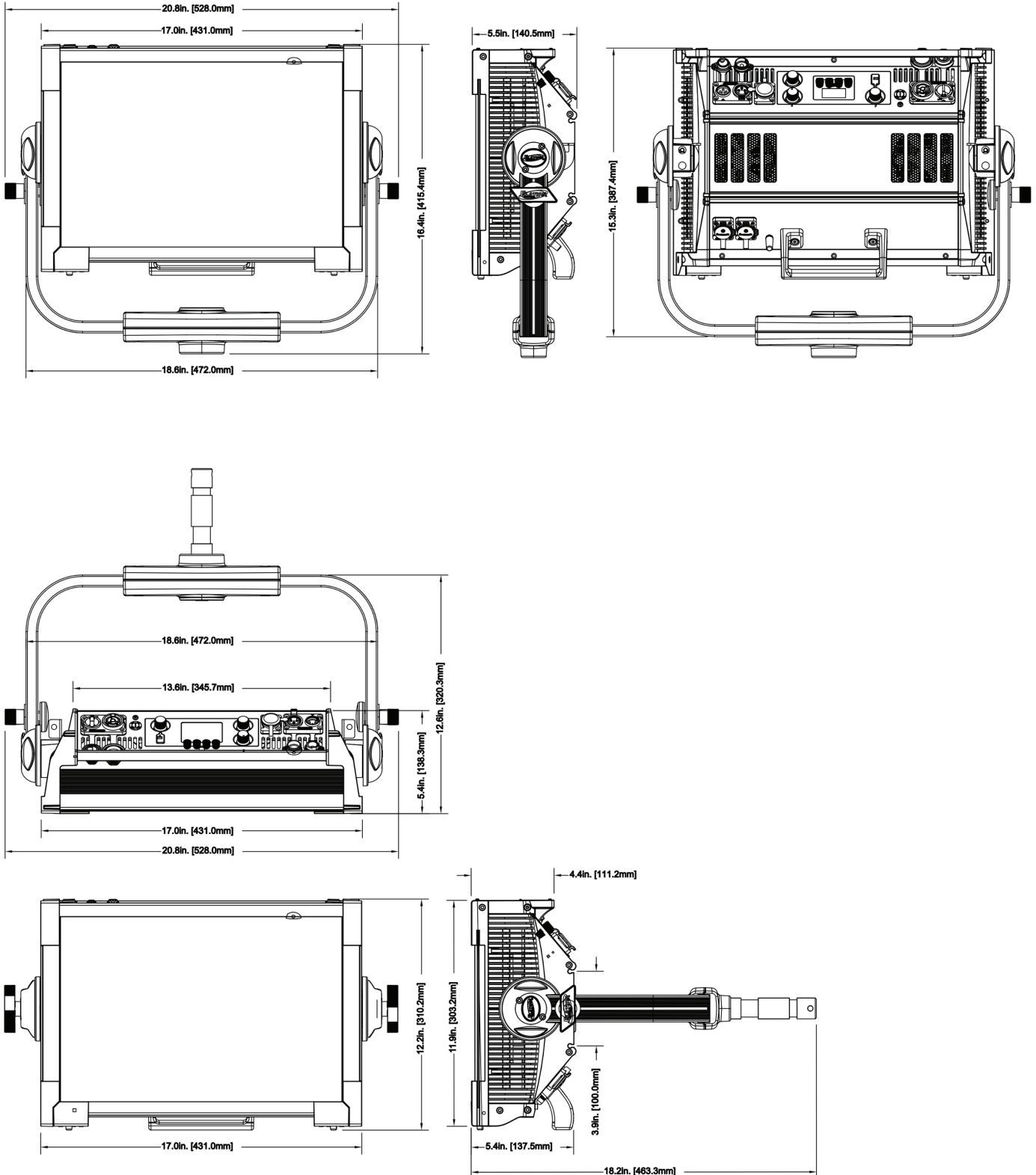
| SKU (USA) | SKU (EU) | DESCRIPTION |
|-----------|------------|----------------------|
| KLP001 | 1237000224 | KL Panel |
| KLP014 | 1237000264 | KL Panel Narrow Yoke |
| KLP613 | 1237200081 | Snapgrid 40° |
| KLP625 | 1237200082 | Snapbag |
| KLP991 | 1232200080 | KL Panel PO Bracket |





295W Full Spectrum RGBWLC LED Soft Light

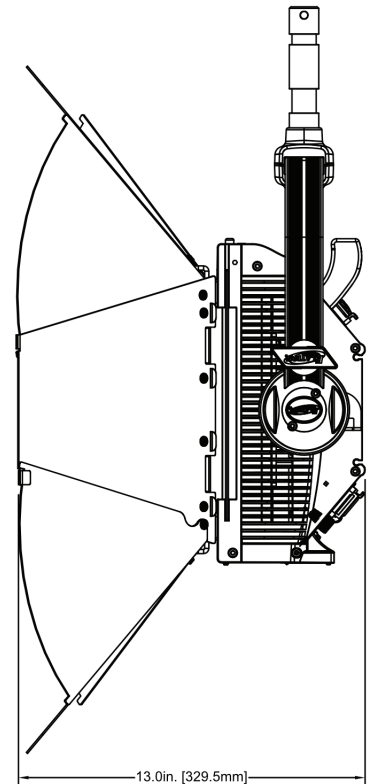
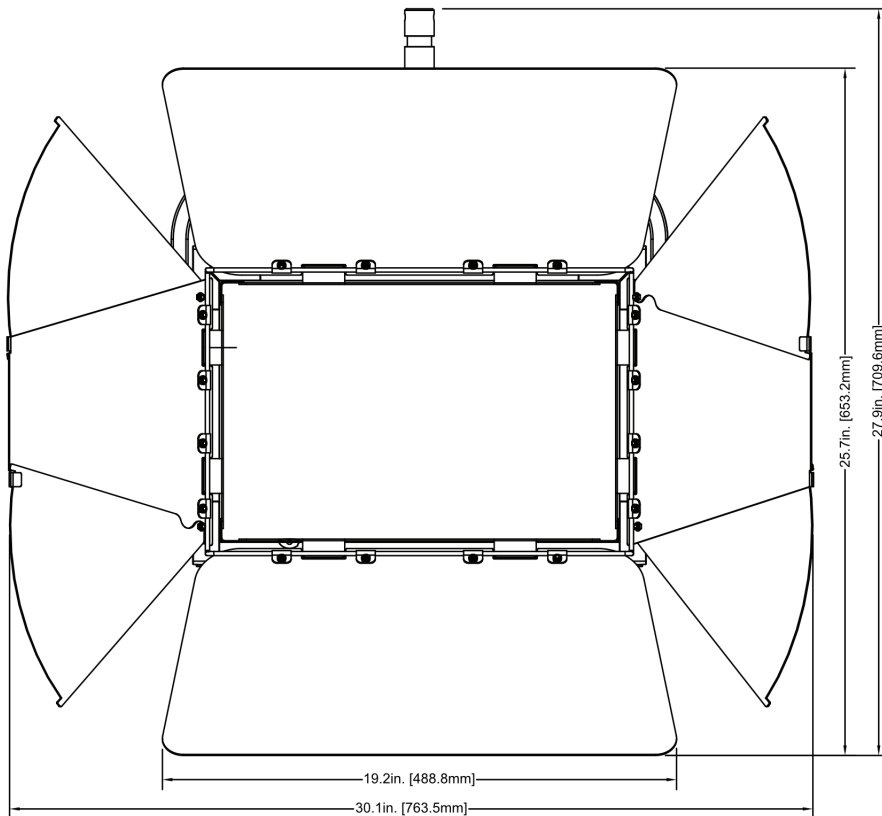
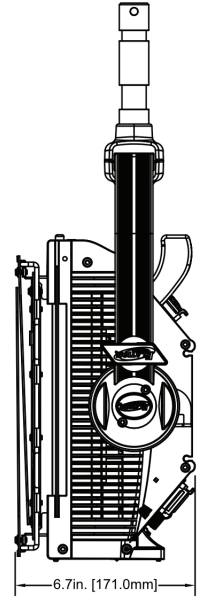
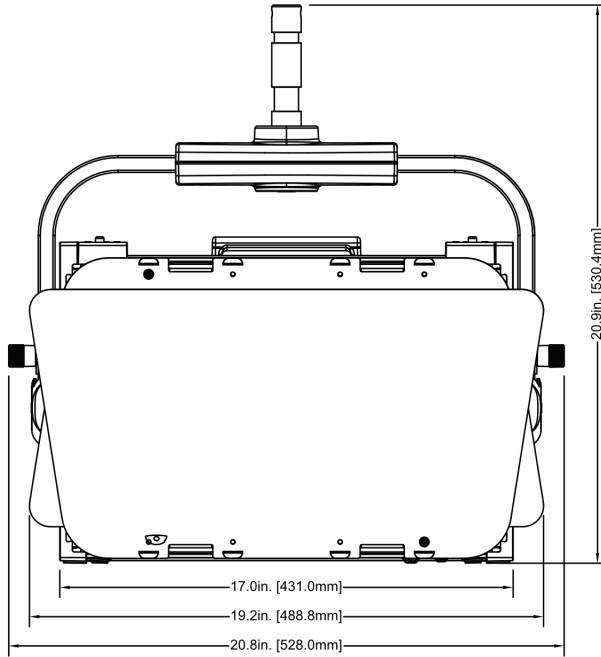
UNIT DIMENSIONS





295W Full Spectrum RGBWLC LED Soft Light

DIMENSIONS - BARNDOOR AND JUNIOR PIN





295W Full Spectrum RGBWLC LED Soft Light

DIMENSIONS - PO BRACKET

